



Replacement PTAC/PTHP Chassis: Replaces Cool Heat, Climate Master/ Friedrich AD/702/703/704, IslandAire 'CM' & RetroAire 'RC 20'

NOMINAL CAPACITY:

9,000, 12,000, 15,000, 18,000 BTU/h

ColdPoint Corp, Rome, New York 13440 • Phone (315) 339-2331 • Fax (315) 339-2358 • Web: www.adirondackaire.com



Description:

Adirondack-Aire 'CH' Series is a replacement for Cool-Heat, Climate Master/ Friedrich AD/702/703/704, IslandAire 'CM' & RetroAire 'RC 20' series chassis. The chassis is a part of a complete system, which consists of the chassis, a wall sleeve, room cabinet, outdoor louver, and sometimes a separate heat section. The AD unit has a separate control box. The chassis contains the compressor, indoor and outdoor heat exchangers, fan motors & fans, and controls. The 'CH' is dimensionally compatible with the original for a fast, easy, and trouble free installation. Proven technology, quality components, careful design and testing, and the latest in reliability and efficiency advances assure long life, user satisfaction, and lower energy cost! Consider the extensive list of standard features which includes: Rust-Block* corrosion protection system, evaporator freeze protection, pull handle, permanent electrostatic air filter, and high-pressure over protection..... and Adirondack-Aire is the replacement solution the competition can't match. Cold Point Corp. backs the 'CH' with a customer friendly one-year parts and labor warranty and five-year compressor warranty, (see Warranty document for details). Heat Pumps are available and include a thermostatic expansion valve and condenser drain pan valve. For 'AD' applications the separate control box must be ordered.

electrostatic air filter, and high-pressure over protection..... and Adirondack-Aire is the replacement solution the competition can't match. Cold Point Corp. backs the 'CH' with a customer friendly one-year parts and labor warranty and five-year compressor warranty, (see Warranty document for details). Heat Pumps are available and include a thermostatic expansion valve and condenser drain pan valve. For 'AD' applications the separate control box must be ordered.

Application & Benefits:

The Adirondack-Aire 'CH' series replacement chassis fits the existing Cool-Heat, Climate Master/Friedrich wall sleeves and room cabinets without modification. A slinger axial condenser fan and draw-thru airflow pattern re-evaporates condensate and makes cleaning dirty coils easy. The standard high-pressure switch and evaporator freeze protection stops unit operation before damage occurs should airflow become reduced or obstructed due to dirty coils, obstructed airflow, or motor failures or lock-up.....a premium feature usually found only in expensive commercial systems. Condensate re-evaporation and the Rust-Block system assure a stain-free building exterior. High efficiency compressors provide demonstrated reliability and low sound levels...and because the chassis dimensions and construction details are like the original replacement work is fast and easy. A chassis pull handle is provided to facilitate easy removal and handling. Using Adirondack-Aire replacements eliminates the need for room and exterior wall renovation and is the solution that gets your property back in service quickly and at the lowest total cost. Choose the optional room cabinet to give the unit a brand new look and improve room aesthetics.

Options/Accessories:

- Heat Pump (consult factory)
- Electric heat or Hydronic heat
- Control options
- 115V & 265V (availability varies by model size)
- Motorized fresh air
- Supply air collar
- Cabinets
- Sleeves
- Louvers

* Rust-Block corrosion protection system consists of:
•Heavy gauge galvanized steel construction with powder paint finished condenser & evaporator pans

•Galvanized or Aluminum Condenser Fan
•Stainless steel compressor and condenser motor studs

•Magnaguard and/or stainless steel screws and fasteners

Standard Features

- 1). Made in USA
- 2). Designed for easy installation & compatibility. Dimensionally compatible with original Cool-Heat & Climate Master/Friedrich chassis. Replaces IslandAire & RetroAire
- 3). Exclusive Rust-Block corrosion protection
- 4). High efficiency PSC fan motors w/built-in temperature protection
- 5). UL listed components and construction
- 6). Quiet, durable, and efficient compressor with built-in pressure & temperature protection
- 7). Heavy Gauge G60 galvanized steel construction with powder coat painted condenser & evaporator pans
- 8). High efficiency copper tube-aluminum fin evaporator and condenser coils
- 9). Slinger condenser fan
- 10). Condensate re-evaporation
- 11). High Pressure switch with manual reset
- 12). Frost free low ambient cooling*
- 13). Electrostatic air filter
- 14). Chassis pull handle facilitates easy chassis removal & handling
- 15). Heat pump heating to 35°F outdoor**
- 16). Capillary expansion. Thermostatic expansion valve (heat pumps)
- 17). Positive shift reversing valve (heat pumps)
- 18). Precision charged with R-22 refrigerant
- 19). Line Cord (ex. 265V)

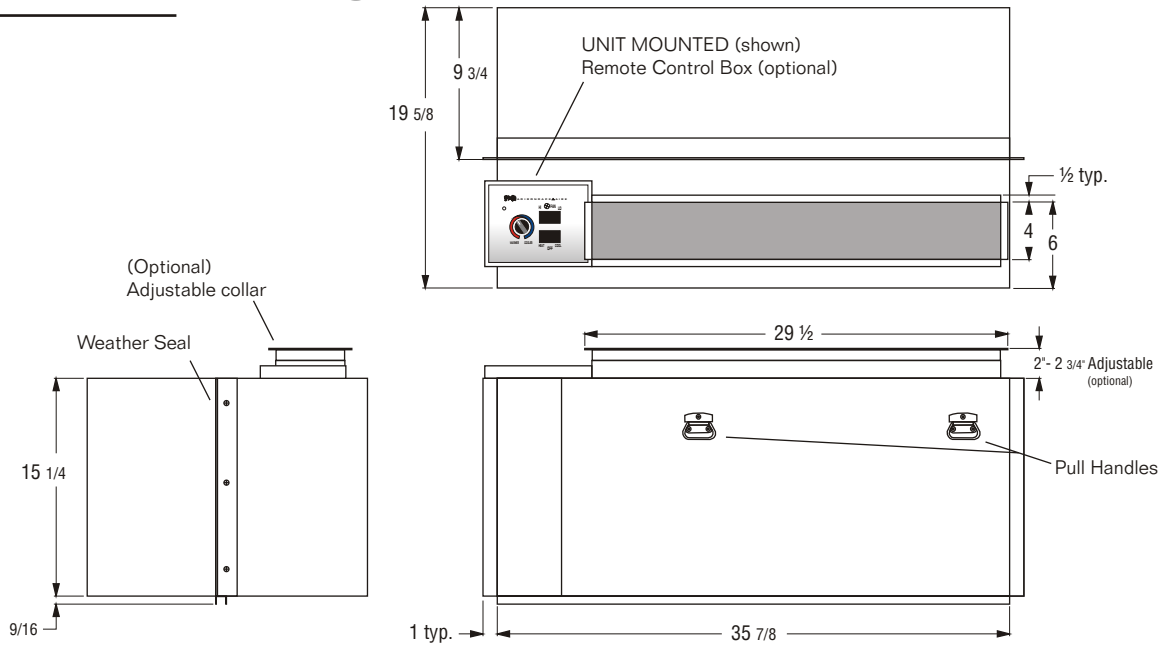
*Cooling operation locks-out at 34° F outdoor temperature and restarts @ 55° F. **Actual temperature affected by relative humidity, solar effect, etc.



CH Dimensions and Specifications

Note: Due to Cold Point Corporation's ongoing quality & product development programs, design and specifications may change. Always consult factory to verify the information provided here.

DIMENSIONAL DETAIL 'CH'



CH CHASSIS ELECTRICAL RATINGS (1)

Model	Voltage/ HZ/Ph	Evap. Mtr. HP	Evap. Mtr. Amps	Cond. Mtr. HP	Cond. Mtr. Amps	Comp RLA	Comp LRA	TOTAL AMP	CKT AMPAC	MAX FUSE	MIN. Volts	Line Cord
CH-09	115/60/1	1/10	1.2	1/10	1.2	7.5	42.0	9.9	12	15	104	5-15P
CH-09	208/230/60/1	1/10	0.6	1/10	0.6	3.7	21.0	4.9	6	15	197	6-15P
CH-09	265/60/1	1/10	0.6	1/10	0.6	3.1	15.0	4.3	6	15	239	N/A
CH-12	115/60/1	1/10	1.2	1/10	1.2	9.9	56.0	12.3	15	25	104	5-20P
CH-12	208/230/60/1	1/10	0.6	1/10	0.6	5.0	24.0	6.2	8	15	197	6-15P
CH-12	265/60/1	1/10	0.6	1/10	0.6	4.2	20.0	5.4	7	15	239	N/A
CH-15	208/230/60/1	1/10	0.6	1/4	1.6	6.6	34.0	8.8	11	15	197	6-15P
CH-15	265/60/1	1/10	0.6	1/4	1.6	5.4	30.0	7.6	9	15	239	N/A
CH-18	208/230/60/1	1/10	0.6	1/4	1.6	7.5	42.0	9.7	12	15	197	6-15P
CH-18	265/60/1	1/10	0.6	1/4	1.6	6.6	35.0	8.8	11	15	239	N/A

(1) If electric heat option is selected see Electric Heat Ratings Table: Total AMP, Ampacity & Fuse size is the larger value.

NEMA Configurations

Non Locking Plugs/Receptacles

Voltage	125V	250V	277V
15A Recp.	5-15R 	6-15R 	7-15R
15A Plug	5-15P 	6-15P 	7-15P
20A Recp.	5-20R 	6-20R 	7-20R
20A Plug	5-20P 	6-20P 	7-20P
30A Recp.	5-30R 	6-30R 	7-30R
30A Plug	5-30P 	6-30P 	7-30P

Electric Heat Ratings (optional)

Heater No. (wcu)	Volt	Watts	BTU/h	HTR Amps	Total HTR Amps	Min CKT Amps	Max. Fuse	Line Cord
2	208	1,800	6,140	8.7	9.3	12.0	15	6-15P
	230	2,200	7,500	9.6	10.2	13.0	15	6-15P
	265	2,900	9,900	10.9	11.5	15.0	15	N/A
	277	3,190	10,900	11.5	12.1	15.0	15	N/A
3	208	2,450	8,350	11.8	12.4	16.0	20	6-20P
	230	3,000	10,200	13.1	13.7	17.0	20	6-20P
	265	4,000	13,640	15.1	15.7	20.0	20	N/A
	277	4,350	14,830	15.7	16.3	21.0	25	N/A
4	208	3,270	11,150	15.7	16.3	21.0	25	6-30P
	230	4,000	13,640	17.4	18.0	23.0	30	6-30P

CH PERFORMANCE TABLE (Tested in Accordance w/ARI)

Model	COMP	Cond. Fan Type/Air Direction	Cool BTUH	SENS BTUH	EER	CFM HI/ LO*
CH-09	Rotary	Axial/Draw Thru	9,400	8,200	9.4	440/330
CH-12	Rotary	Axial/Draw Thru	11,400	8,800	9.0	440/330
CH-15	Rotary	Axial/Draw Thru	15,500	12,000	8.5	550/400
CH-18	Rotary	Axial/Draw Thru	17,000	12,600	8.4	550/330

*Dry Coil Airflow

Model No.	Shipping Weight (lbs)
09	142
12	142
15	142
18	142