



Vertical Packaged Terminal Air Conditioning (PTAC) for: New Construction or Property Renovation

NOMINAL CAPACITY:

9,000, 12,000, 15,00 BTU/h

ColdPoint Corp, Rome, New York 13440 • Phone (315) 339-2331 • Fax (315) 339-2358 • Web: www.adirondackaire.com



Description:

Adirondack-Aire 'PIN' Series is a small footprint vertical configuration thru-the-wall air conditioning system or heat pump (PTAC/PTHP) for new construction or property renovation. This highly flexible design typically fits into the corner of a room and serves one or more zones/rooms. A complete system consists of the chassis, a wall sleeve with outdoor louver, factory or site built room cabinet with return air panel, wall thermostat, flex duct and supply air grille. The room cabinet may be either a factory-supplied floor to ceiling steel cabinet with powder coat finish or a site built closet with factory available return air/access panel. This design provides a barrier between the unit and room occupants thereby minimizing sound levels. The ducted air delivery system

maximizes comfort. Proven technology, quality components, careful design and testing, and the latest in reliability and efficiency advances assure long life, user satisfaction, and lower energy cost! Add to this features that include: Rust-Block* corrosion protection system, slinger condenser fan, evaporator freeze protection, and evaporator fan post purge control... and Adirondack-Aire is the choice the competition can't match. Cold Point Corp. backs the 'PIN' with a customer friendly one-year parts and labor warranty and five-year compressor warranty, (see Warranty document for details). Heat pumps are available and include a thermostatic expansion valve, suction accumulator, compressor crankcase heater and condenser drain pan valve. Heat pump heating is single stage operation. Manual fresh air damper is standard on all models. The standard 1" disposable fiberglass air filter is chassis mounted.

Application & Benefits:

The Adirondack-Aire 'PIN' series vertical PTAC/PTHP offers the ease of installation, simplicity, and flexibility of a PTAC but offers major advances for in room quiet, comfort, and occupant satisfaction. The small footprint of this unit maximizes usable room space. The conventional wall thermostat control eliminates confusing buttons and dials and improves temperature control and occupant comfort. A slinger ring condenser fan provides a blow-thru airflow pattern that re-evaporates condensate eliminating the need, cost, and maintenance of internal drains. The standard evaporator freeze protection stops unit operation before damage occurs should airflow become reduced or obstructed due to dirty coils, obstructed airflow, or motor failures or lock-up. Evaporator blower post purge control improves system efficiency. Condensate re-evaporation and the Rust-Block system assure a stain-free building exterior. High efficiency compressors provide demonstrated reliability and low sound levels. The outdoor louver is an architectural style fabricated using rust-free clear anodized aluminum components. A round duct connection collar is provided for connection to flex duct (see illustration and dimensional detail). The standard manual fresh air damper introduces fresh air to the room.

Options/Accessories:

- Heat Pump •Motorized Fresh Air •Wall Sleeves
•Room Cabinet with Powder Coat •Return Air/ Access Panel •Louvers
•Electric Heat •Wall Thermostat •Control Options
•Chassis Stand •Internal Drain •Line Cord

* Rust-Block corrosion protection system consists of:
•Heavy gauge G90 rated galvanized steel construction

•Plastic or Aluminum Condenser Fan
•Stainless steel compressor and condenser motor studs

•Powder painted drain pan
•Magnaguard and/or stainless steel screws and fasteners

Standard Features

- 1). Made in USA 11). Chassis mounted disposable 1" fiberglass air filter
2). Designed for easy installation & minimum footprint 12). Condensate re-evaporation
3). Exclusive Rust-Block corrosion protection 13). Evaporator fan post purge control
4). High efficiency PSC type fan motors w/built-in temperature protection 14). Frost free low ambient cooling*
5). ETL APPROVED 15). Refrigerant circuit access ports
6). Quiet, durable, and efficient compressor with built-in pressure & temperature protection 16). Heat pump heating to 35°F outdoor** (single stage)
7). Heavy Gauge G90 galvanized steel construction 17). Capillary expansion. Thermostatic expansion valve (heat pumps)
8). Manual Fresh Air Damper 18). Positive shift reversing valve (heat pumps)
9). High efficiency copper tube-aluminum fin evaporator and condenser coils 19). Suction Accumulator (heat pump)
10). Slinger ring axial condenser fan 20). Precision charged with R-22 refrigerant
21). Compressor crankcase heater (heat pumps)
22). Built in anti- short cycle timer (heat pumps)

*Cooling operation locks-out at 34° F outdoor temperature and restarts @ 55° F. **Actual temperature affected by relative humidity, solar effect, etc.

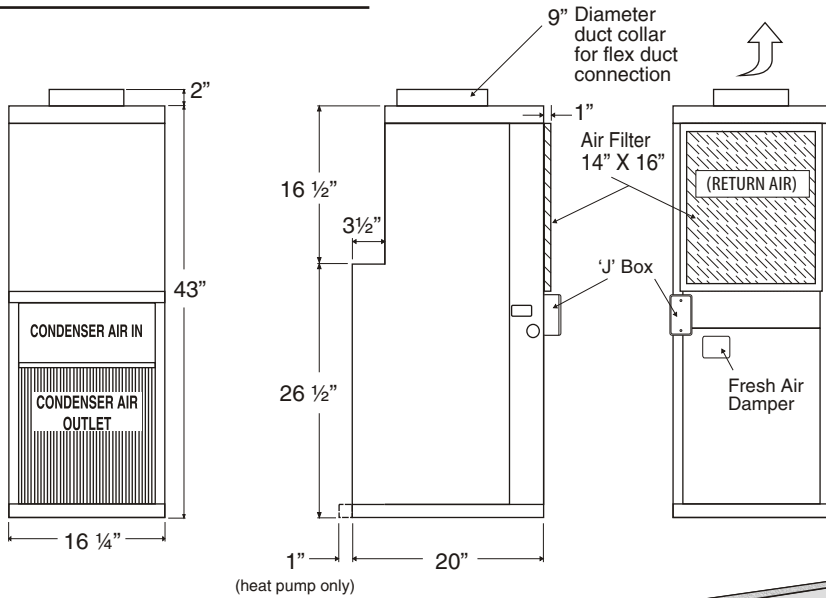


PIN Dimensions and Specifications

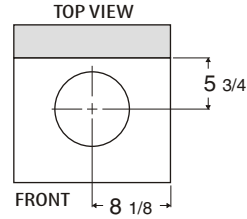
Note: Due to Cold Point Corporation's ongoing quality & product development programs, design and specifications may change. Always consult factory to verify the information provided here.



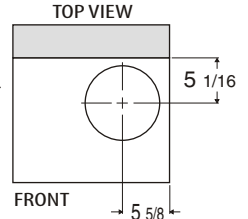
DIMENSIONAL DETAIL 'PIN'



Model
PIN- 09,12



Model
PIN- 15

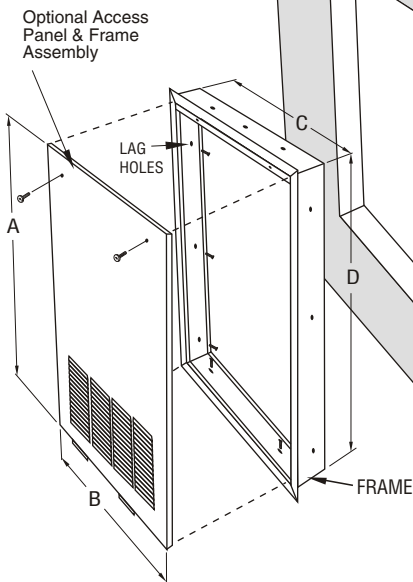


Note: For proper air flow Minimum spacing between the inside closet wall & unit air intake is 4\".

Access Panel* Dimensions

MODEL	A	B	C	D	E	F
PIN-09,12,15	49 3/4"	23 3/4"	22"	48"	22 1/2"	48 1/2"

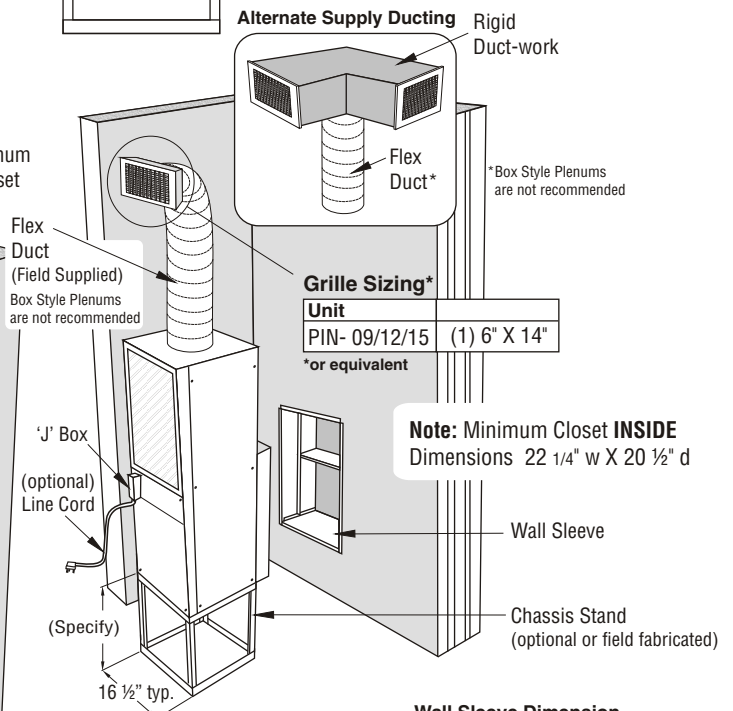
*STD. color is light beige. Custom colors available.



Wall Sleeve Rough Wall Opening

Unit	Width	Height	Depth*
PIN- 09,12,15	17 1/2"	28"	Specify

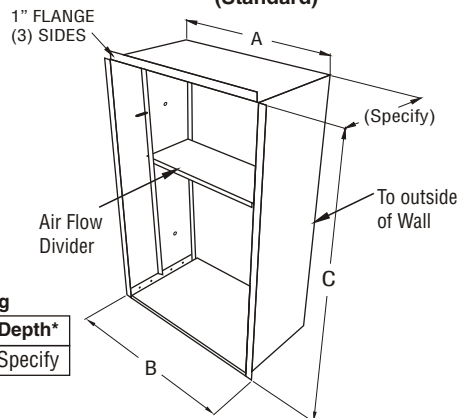
*STD. 10" wall depth



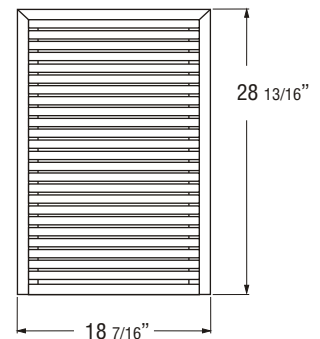
Wall Sleeve Dimension

Unit	A	B	C
PIN- 09,12,15	17"	18 1/2"	27 1/2"

Wall Sleeve (Standard)



Exterior Louver with Frame





PIN Dimensions and Specifications

Note: Due to Cold Point Corporation's ongoing quality & product development programs, design and specifications may change. Always consult factory to verify the information provided here.



DIMENSIONAL DETAIL 'PIN'

PIN ELECTRICAL DATA (1)

Model	Voltage/ HZ/Ph	Evap. Mtr. HP	Evap. Mtr. Amps	Cond. Mtr. HP	Cond. Mtr. Amps	Comp RLA	Comp LRA	TOTAL AMPS	CKT AMPACITY	MAX FUSE	MIN. Volts	Line Cord*
PIN-09	115/60/1	0.04	1.1	1/10	1.2	7.5	42.0	9.8	12	15	104	5-15P
PIN-09	208/230/60/1	0.04	0.47	1/10	0.6	3.7	21.0	4.8	6	15	197	6-15P
PIN-09	265/60/1	0.04	0.42	1/10	0.6	3.1	15.0	4.2	5	15	239	N/A
PIN-12	115/60/1	0.04	1.1	1/10	1.2	9.9	56.0	12.1	15	25	104	5-20P
PIN-12	208/230/60/1	0.04	0.47	1/10	0.6	5.0	24.0	6.1	9	15	197	6-15P
PIN-12	265/60/1	0.04	0.42	1/10	0.6	4.2	20.0	5.3	7	15	239	N/A
PIN-15	208/230/60/1	1/10	0.6	1/4	1.6	6.6	34.0	8.8	11	15	197	6-15P
PIN-15	265/60/1	1/10	0.6	1/4	1.6	5.4	30.0	7.6	9	15	239	N/A

*Line Cord Optional (N/A 265V)

(1) If electric heat option is selected Total AMPS, Ampacity, Fuse size, & Line Cord is found in the electric heat table

PIN PERFORMANCE TABLE (Tested in Accordance w/ARI)

Model	COMP	Cond. Fan Type/Air Direction	Cool BTUH	Sens. BTUH	EER	Heat Pump Cool BTUH	Heat Pump Sens BTUH	EER	Heat Pump Heat BTUH	COP	CFM* (nominal)
PIN-09	Rotary	Axial/ Blow Thru	9,300	6,800	9.6	9,100	6,700	9.5	9,500	3.45	280
PIN-12	Rotary	Axial/ Blow Thru	11,000	7,800	9.0	10,900	7,700	8.9	11,300	3.33	300
PIN-15	Rotary	Axial/ Blow Thru	14,700	10,500	8.5	14,400	10,300	8.4	14,500	3.36	400

*Dry Coil Airflow

PIN Series Electrical Heat Specifications

Heater No.	Volt	Watts	BTU/h	HTR Amps	Total HTR Amps	Min CKT Amps	Max. Fuse	Line Cord*	Application
2	208	1,700	5,800	8.2	8.7	11	15	6-15P	PIN- 09,12
	208	1,700	5,800	8.2	8.8	11	15	6-15P	PIN- 15
	230	2,070	7,050	9.0	9.5	12	15	6-15P	PIN- 09,12
	230	2,070	7,050	9.0	9.6	12	15	6-15P	PIN- 15
	265	2,750	9,365	10.4	10.9	14	15	N/A	PIN- 09,12
	265	2,750	9,365	10.4	11.0	14	15	N/A	PIN- 15
	277	3,000	10,230	11.4	11.9	15	15	N/A	PIN- 09,12
	277	3,000	10,230	11.4	12.0	15	15	N/A	PIN- 15
3	208	2,255	7,690	10.9	11.4	14	15	6-20P	PIN- 09,12
	208	2,255	7,690	10.9	11.5	15	15	6-20P	PIN- 15
	230	2,760	9,410	12.0	12.5	16	20	6-20P	PIN- 09,12
	230	2,760	9,410	12.0	12.6	16	20	6-20P	PIN- 15
	265	3,660	12,480	13.8	14.3	18	20	N/A	PIN- 09,12
	265	3,660	12,480	13.8	14.4	18	20	N/A	PIN- 15
	277	4,000	13,640	14.5	15.0	19	20	N/A	PIN- 09,12
	277	4,000	13,640	14.5	15.1	19	20	N/A	PIN- 15
4	208	3,000	10,230	14.5	15.0	19	20	6-20P	PIN- 09,12
	208	3,000	10,230	14.5	15.1	19	20	6-20P	PIN- 15
	230	3,675	12,530	16.0	16.5	21	20	6-20P	PIN- 09,12
	230	3,675	12,530	16.0	16.6	21	20	6-20P	PIN- 15
	265	4,880	16,640	18.5	19.1	24	25	N/A	PIN- 15
	277	5,330	18,175	19.3	19.9	25	25	N/A	PIN- 15
5	208	3,700	12,620	17.8	18.4	23	25	6-30P	PIN- 15
	230	4,520	15,415	19.7	20.3	26	25	6-30P	PIN- 15

*Line Cord Optional

NEMA Configurations

Non Locking Plugs/Receptacles

Voltage	125V	250V	277V
15A Recp.	5-15R 	6-15R 	7-15R
15A Plug	5-15P 	6-15P 	7-15P
20A Recp.	5-20R 	6-20R 	7-20R
20A Plug	5-20P 	6-20P 	7-20P
30A Recp.	5-30R 	6-30R 	7-30R
30A Plug	5-30P 	6-30P 	7-30P



Model No.	Chassis Weight (lbs)
09	112
12	125
15	145



12-07