



WATER SOURCE HEAT PUMP

**Console Water Source Heat Pump- Replaces
Climate Master/ Friedrich '801' Series**



NOMINAL CAPACITY:

10,000, 13,000, 15,000,
19,000 BTU/h

ColdPoint Corp, Rome, New York 13440 • Phone (315) 339-2331 • Fax (315) 339-2358 • Web: www.adirondackaire.com



cabinet optional



Description:

Adirondack-Aire '801' series is a direct replacement for Climate Master/Friedrich '801', series console water source heat pump units. These console units are offered as chassis only to work with the existing or custom cabinets or with cabinet for a complete upgrade. The chassis contains the compressor, air heat exchanger, water heat exchanger, evaporator fan & motor, and control and safety components. The optional room cabinet is powder painted furniture grade steel construction with extruded aluminum grille and control door. The chassis is dimensionally identical to the original and available with LH or RH piping and wiring for a fast, easy, and trouble free installation. Proven technology, quality components, careful design and testing, and the latest in reliability and efficiency advances assure long life, user satisfaction, and lower energy cost! Consider the extensive list of standard features which includes: powder painted drain pan, refrigerant circuit access ports, electrostatic air filter

(cabinet mounted), evaporator freeze protection, water coil freezestat, high-pressure over protection, and lockout circuit..... and *Adirondack-Aire* is the replacement solution the competition can't match. *Cold Point Corp.* backs the '801' with a customer friendly one-year parts and labor warranty and five-year compressor warranty, (see *Warranty* document for details).

Application & Benefits:

The *Adirondack-Aire '801' series replacement chassis fits the existing Climate Master/Friedrich room cabinets* without modification. Because the chassis construction is like the original water, drain and electrical connections **line right up** to the existing connections. The standard high-pressure switch and evaporator coil freeze protection stops unit operation **before damage occurs** should airflow become reduced or obstructed due to dirty coils, obstructed airflow, or motor failures or lock-up. A freezestat protects the water coil from **freeze damage** due to water temperature or flow problems. The water coil is designed for low water-side pressure drop eliminating potential **pump sizing** and **water flow** problems. High efficiency compressors provide demonstrated **reliability** and **low sound** levels and cut **energy costs**...and because the '801' dimensions and construction details are like the original, replacement work is **fast** and **easy**. Using *Adirondack-Aire* replacements **eliminates** the need for **room renovation, redecorating, or piping & wiring changes** and is *the solution* that gets your property back in service quickly and at the **lowest total cost**. Choose the optional room cabinet to give the unit a **new look** and improve **room aesthetics**.

Options/Accessories:

- Room Cabinet (LH & RH available)
- Control options
- 115V & 265/ 277V (availability varies by model size)

- Flow control valve
- Valves & unions
- LH or RH connections

- Electric heat
- Hose kits
- Line Cords

Standard Features

- 1). Made in USA
- 2). Designed for easy installation & compatibility. Dimensionally identical to original *Climate Master/Friedrich chassis*
- 3). ETL APPROVED
- 4). Quiet, durable, and efficient compressor with built-in pressure & temperature protection
- 5). Heavy Gauge G90 galvanized steel construction
- 6). Powder painted drain pan
- 7). High efficiency copper tube-aluminum fin evaporator coil
- 8). High efficiency coaxial condenser coil with low water-side pressure drop
- 9). Unit mounted MCO controls
- 10). Lock-out circuit with reset at thermostat or circuit breaker
- 11). High Pressure switch
- 12). Frost free cooling
- 13). Water coil freeze protection
- 14). Refrigerant circuit access ports
- 15). Capillary expansion
- 16). Positive shift reversing valve
- 17). Precision charged with R-22 refrigerant
- 18). ½" water connections
- 19). Electrostatic air filter (cabinet mounted)



801 Dimensions and Specifications

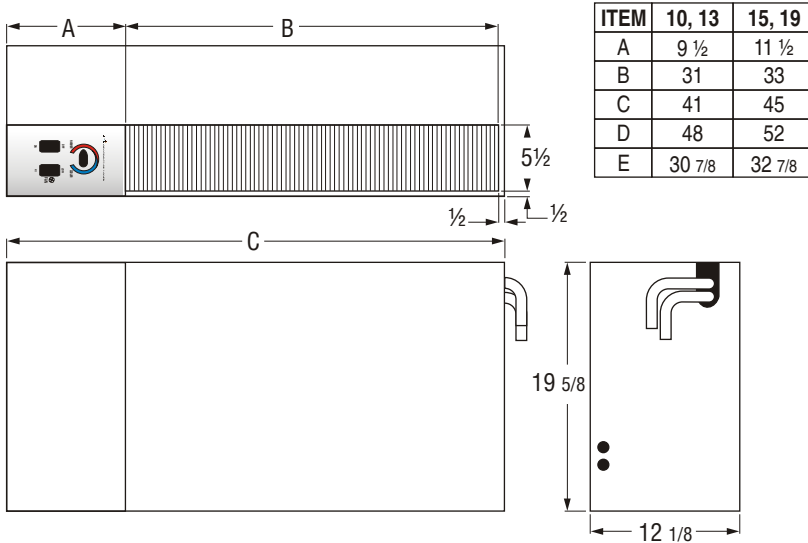


DIMENSIONAL DETAIL '801' - RH SHOWN (LH available)

Note: Due to Cold Point Corporation's ongoing quality & product development programs, design and specifications may change. Always consult factory to verify the information provided here.

IMPORTANT! Chassis must replace a unit of like capacity to assure proper **power supply**.

CHASSIS



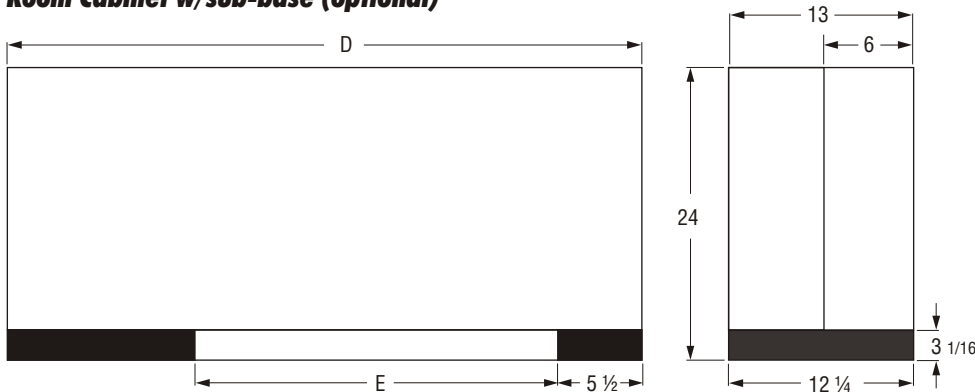
NEMA Configurations

Non Locking Plugs/Receptacles

Voltage	125V	250V	277V*
15A Recp.	5-15R 	6-15R 	7-15R
15A Plug	5-15P 	6-15P 	7-15P
20A Recp.	5-20R 	6-20R 	7-20R
20A Plug	5-20P 	6-20P 	7-20P
30A Recp.	5-30R 	6-30R 	7-30R
30A Plug	5-30P 	6-30P 	7-30P

*Not Available Factory Mounted

Room Cabinet w/sub-base (optional)



Electric Heat Ratings* (Boilerless)

Heater No.	Volt	Watts	BTU/h	HTR Amps	Total Amps	Min CKT Amps	Max. Fuse
1	208	1,000	3,400	4.8	5.4	7	15
	230	1,220	4,160	5.3	5.9	8	15
	277	1,000	3,400	3.6	4.2	6	15
2	230	2,000	6,820	9.6	10.2	13	15
	208	2,450	8,350	10.7	11.3	14	15
	277	2,000	6,820	7.3	7.9	10	15

*Optional

801 ELECTRICAL DATA

Model	COMP	Voltage/ HZ/Ph	FAN AMPS	FAN HP	Comp RLA	Comp LRA	Total Amps	CKT Amp	Max Fuse	Min Volts
801-10	Rotary	115/60/1	1.2	1/10	7.5	42.0	8.7	11	15	104
801-10	Rotary	208/230/60/1	0.6	1/10	3.7	21.0	4.3	6	15	197
801-10	Rotary	265/60/1	0.6	1/10	3.1	15.0	3.7	5	15	239
801-13	Rotary	115/60/1	1.2	1/10	9.9	56.0	11.1	14	20	104
801-13	Rotary	208/230/60/1	0.6	1/10	5.0	24.0	5.6	7	15	197
801-13	Rotary	265/60/1	0.6	1/10	4.2	20.0	4.8	6	15	239
801-15	Rotary	208/230/60/1	0.6	1/10	5.4	29.0	6.0	8	15	197
801-15	Rotary	265/60/1	0.6	1/10	4.6	27.0	5.2	7	15	239
801-19	Rotary	208/230/60/1	0.6	1/10	7.5	42.0	8.1	10	15	197
801-19	Rotary	265/60/1	0.6	1/10	6.6	35.0	7.2	9	15	239

801 PERFORMANCE TABLE*

Model	COOL BTUH	SENS BTUH	EER	HEAT BTUH	COP	CFM HI/LO	GPM	COIL PD
801-10	10,500	8,300	14.0	11,500	4.5	340/290	2.6	3.2'
801-13	12,800	12,800	12.9	14,200	4.4	440/340	3.2	4.6'
801-15	15,800	15,800	14.1	18,400	4.5	500/460	3.8	7.5'
801-19	19,400	19,400	14.0	23,000	4.0	500/460	4.7	10.8'

*Rated in Accordance with ARI

Model No.	Chassis Weight (lbs)
10	140
13	140
15	140
19	140



12-07