



WATER SOURCE HEAT PUMP

**Horizontal Unit - Low Profile
Water Source Heat Pump**

NOMINAL CAPACITY:

18,000, 24,000,
30,000 BTU/h

ColdPoint Corp, Rome, New York 13440 • Phone (315) 339-2331 • Fax (315) 339-2358 • Web: www.adirondackaire.com



Description:

Adirondack-Aire 'HLP' series are very **low profile** horizontal ceiling hung water source heat pump units. This 1 ½, 2, & 2 ½ ton unit cabinet is only 11¼” in height making it the only unit of its capacity in the industry that will **fit tight ceiling spaces**. For maximum flexibility and space the HLP is designed with **dual refrigeration circuits** and **dual compressors** sharing a common cabinet. A filter rack and 1” throwaway fiberglass return air filter is included. Field adaptable to LH or RH return air. These high quality units use proven technology and components and offer the latest in efficiency and reliability advances and features low sound levels.

Application and Benefits:

Conventional components are creatively applied in this **unique design** resulting in a high capacity/efficiency unit designed specifically for tight ceiling spaces. The *Adirondack-Aire 'HLP'* series offers an extensive list of standard features assuring **strong performance, durability, and long term satisfaction**. 2- Stage cooling and heating operation is available for optimal comfort and efficiency.

Options/Accessories:

•Flow control valve

•Hose kits

•2 Stage Control

Standard Features

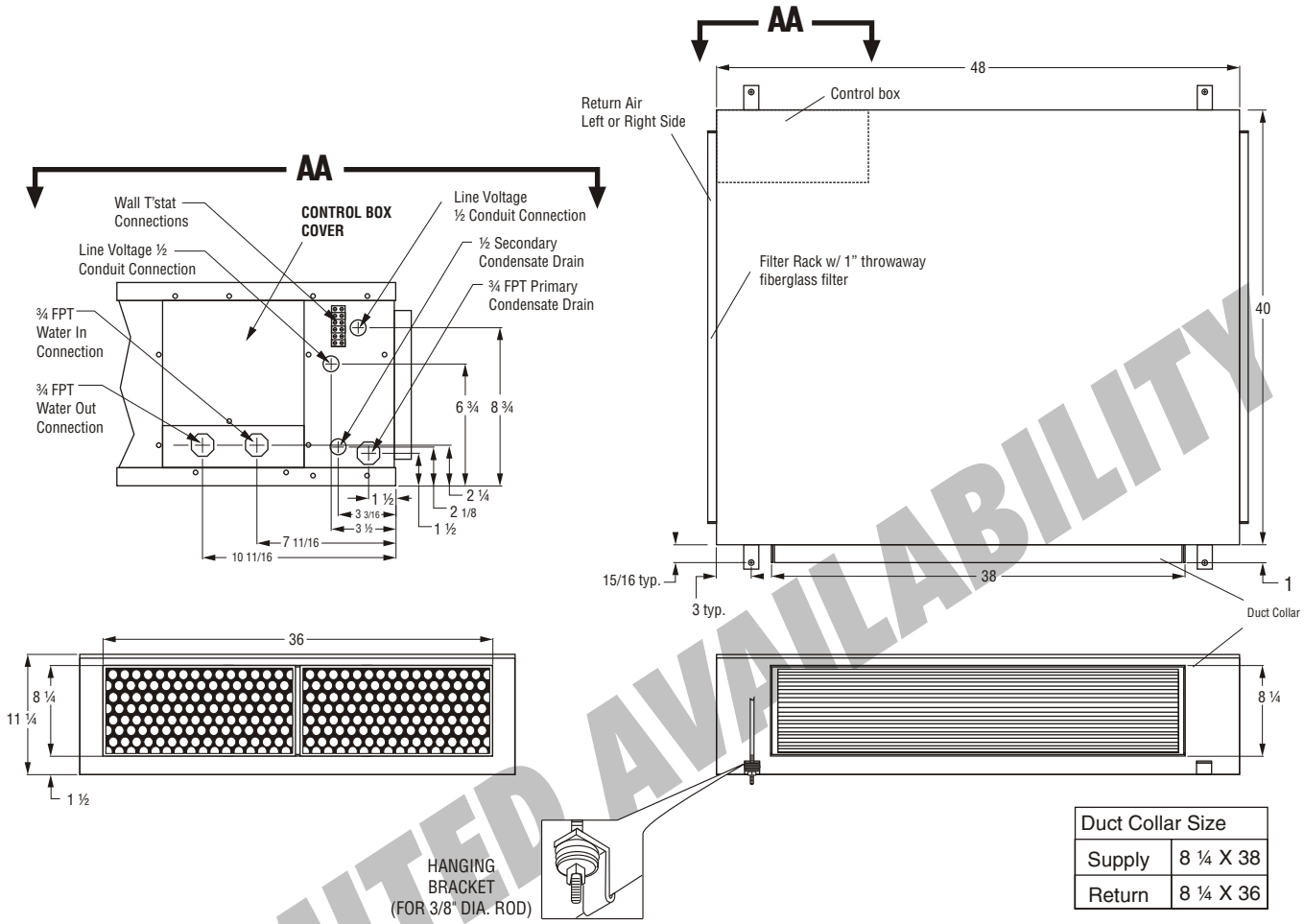
- 1). Made in USA
- 2). Designed for tight ceiling space installations
- 3). UL listed components and construction
- 4). Quiet, durable, and efficient compressors with built-in pressure & temperature protection
- 5). Heavy Gauge G90 galvanized steel construction
- 6). Powder painted drain pan
- 7). High efficiency copper tube-aluminum fin evaporator coil
- 8). High efficiency coaxial condenser coils with low water-side pressure drop
- 9). DWDI centrifugal blowers w/high efficiency PSC motor
- 10). Lock-out circuit with reset at thermostat or circuit breaker
- 11). High Pressure switch
- 12). Frost free cooling
- 13). Water coil freeze protection
- 14). Refrigerant circuit access ports
- 15). Bi-flow thermostatic expansion valves
- 16). Positive shift reversing valves
- 17). Precision charged with R-22 refrigerant
- 18). ¾“ FPT water connections
- 20). 1” Fiberglass or natural fiber air filter



HLP Dimensions and Specifications

Note: Due to Cold Point Corporation's ongoing quality & product development programs, design and specifications may change. Always consult factory to verify the information provided here.

DIMENSIONAL DETAIL 'HLP'



HLP- Electrical Specifications

Model No.	Voltage HZ/PH	Comp RLA	Comp LRA	FAN HP	FAN AMPS	TOTAL AMPS	Min CKT Ampacity	MAX. FUSE	MIN. VOLTS
18	208/230/60/1	4.6 X 2	28.0 X 2	1/4	1.7	10.9	14	20	197
18	265/60/1	4.2 X 2	26.3 X 2	1/4	1.2	9.6	12	20	239
24	208/230/60/1	4.6 X 2	28.0 X 2	1/4	1.7	10.9	14	20	197
24	265/60/1	4.2 X 2	26.3 X 2	1/4	1.2	9.6	12	20	239
30	208/230/60/1	4.6 X 2	28.0 X 2	1/4	1.7	10.9	14	20	197
30	265/60/1	4.2 X 2	26.3 X 2	1/4	1.2	9.6	12	20	239

HLP Specifications

Model number	HLP-24
Blower Motor H.P.	1/4
Blower Wheel Size (d X w)	6 1/4 x 6 (2)
Air Coil Face Area (ft ²)	2.1
Coil Face Dimension (wxh)	38 x 8
Shipping weight (lbs.)	240
Supply & Return	3/4" F.P.T.
Condensate Conn.	3/4" F.P.T.

HLP- Series Preliminary Performance Ratings*

Model No.	Water Flow GPM	Cooling			Heating			Air Flow CFM**
		BTUH	WATTS	EER	BTUH	WATTS	COP	
18	5.6	26,000	2,340	11.1	29,000	2,300	3.7	875
24	5.6	26,000	2,340	11.1	29,000	2,300	3.7	875
30	5.6	26,000	2,340	11.1	29,000	2,300	3.7	875

*Rated in Accordance with ARI

** High speed dry coil- reduce CFM 6% for wet coil

HLP- Blower Performance*

Motor Speed	External Static Pressure		
	.10	.20	.30
HI	920	840	770
LO	720	670	600

*Dry Coil

Model No.	Chassis Weight (lbs)
18	300
24	300
30	300