



# COLD POINT Zerozone 410-A

SERIES

# PWC

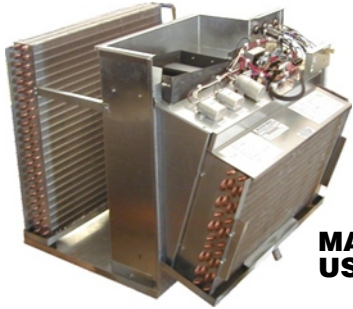
PACKAGE HEAT PUMP CHASSIS

Replacement Chassis for Magic Chef 'PWC' Series Packaged Heat Pump

NOMINAL CAPACITY:

18,000, 24,000 BTU/h

ColdPointCorp, Rome, New York 13440 • Phone (315)339-2331 • Fax (315)339-2358 • Web: www.adirondackaire.com



### Description:

*Cold Point 'PWC' Series zer0zone chassis provides environment friendly, high efficiency cooling and heating where individual, quiet control of space is a priority. This application flexible unit is a direct replacement for Magic-Chef 'PWC' series heat pump chassis. The chassis is a part of a complete system, which consists of the chassis and a wall sleeve/cabinet with built-in heat section and condenser fan. The chassis contains the compressor, indoor and outdoor heat exchangers, evaporator motor & fan, and refrigeration circuit controls. The sleeve/cabinet is installed through the outside wall of the building. The chassis slides into the sleeve/cabinet for easy removal. The new chassis is dimensionally identical to the original for a fast, easy, and trouble free installation. Proven technology, quality components, careful design and testing, and the*

*latest in environment friendly technology assure EPA compliance, long life, user satisfaction, and lower energy cost! These full-range heat pump units with reverse cycle defrost include thermostatic expansion valve, oversized suction accumulator, electronic defrost control, compressor crankcase heater, high efficiency 'PSC' blower motor & dynamically balanced DWDI blower wheel, and condenser drain pan freeze deterrence. Consider the extensive list of standard features which includes: Rust-Block\* corrosion protection system, condenser fan cycle switch for low ambient evaporator freeze protection, and high-pressure over protection..... and Cold Point is the replacement solution the competition can't match. Cold Point Corp. backs the 'PWC' with a customer friendly one-year parts and labor warranty and five-year compressor warranty, (see Warranty document for details).*

### Application & Benefits:

*The Cold Point 'PWC' series replacement chassis fits the existing Magic-Chef wall sleeve/cabinet and works with the existing heat section, condenser fan and control box without modification. Electrical connectors plug right in to existing control box connectors. Full-range heat pump operation minimizes the need for back-up electric heat. The standard high-pressure switch stops unit operation before damage occurs should airflow become reduced or obstructed due to dirty coils, obstructed airflow, or motor failures or lock-up.....a premium feature usually found only in expensive commercial systems. Electronic control assures precise defrost cycles to maximize efficiency and enhance reliability. The Rust-Block system assures a stain-free building exterior. High efficiency compressors provide demonstrated reliability and low sound levels and cut energy costs...and because the chassis dimensions and construction details are like the original, replacement work is fast and easy. Using Cold Point replacements eliminates the need for room and exterior wall renovation and is the solution that gets your property back in service quickly and at the lowest total cost. Choose the optional wall sleeve/cabinet for a complete renovation or new construction installation.*

### Options/Accessories:

- Replacement Condenser Fan
- Replacement Condenser Motor
- Replacement Electric Heater Module (consult factory)
- Replacement Wall Sleeve/ Cabinet w/condenser fan (consult factory)

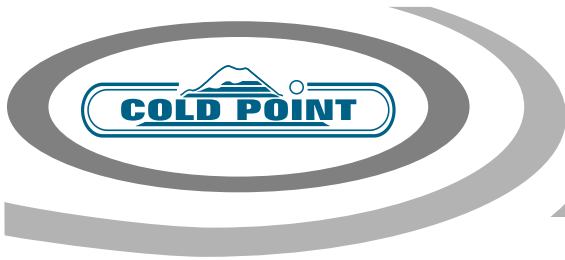
- \* Rust-Block corrosion protection system consists of:
- Heavy gauge galvanized steel construction

- Stainless steel compressor
- Powder painted drain pans

- Magnaguard and/or stainless steel screws and fasteners

### Standard Features

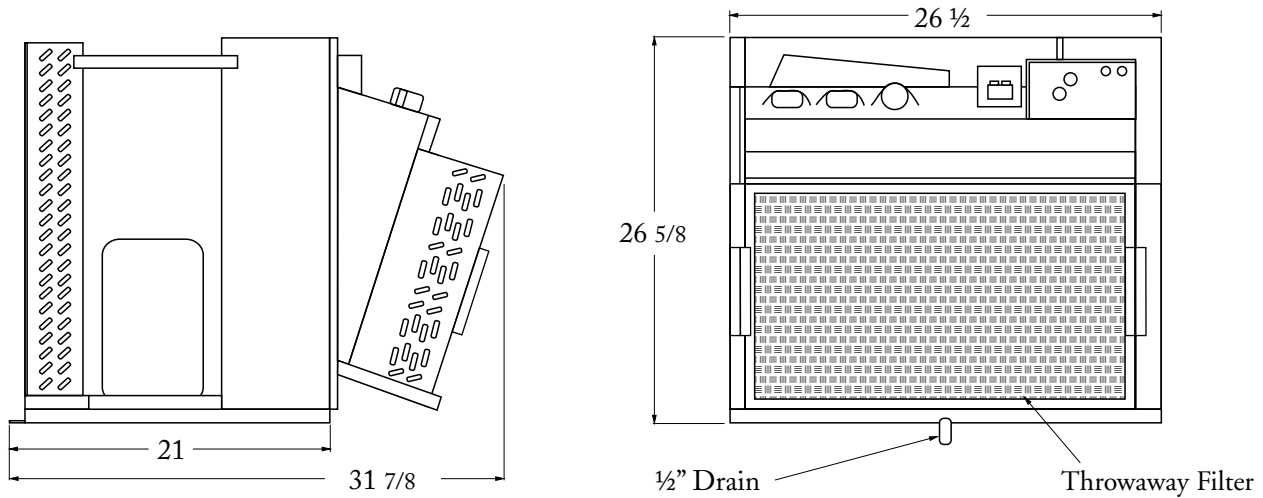
- 1). Made in USA
- 2). Designed for easy installation & compatibility. Dimensionally identical to original Magic-Chef chassis.
- 3). Full range heat pump operation with reverse cycle defrost
- 4). Exclusive Rust-Block corrosion protection
- 5). High efficiency PSC type fan motor w/built-in temperature protection
- 6). UL listed components and construction
- 7). Quiet, durable, and efficient compressor with built-in pressure & temperature protection
- 8). Heavy Gauge G90 galvanized steel construction
- 9). Powder painted drain pans
- 10). High efficiency copper tube-aluminum fin evaporator and condenser coils
- 11). DWDI centrifugal evaporator blower
- 12). Electronic defrost control
- 13). Oversized suction accumulator
- 14). Compressor crankcase heater
- 15). Condenser fan cycle switch (pressure actuated)
- 16). High pressure switch with lock-out circuit
- 17). Refrigerant circuit access ports
- 18). Thermostatic expansion valve
- 19). Positive shift reversing valve
- 20). Precision charged with zer0zone R-410A refrigerant



## PWC Dimensions and Specifications

**Note:** Due to Cold Point Corporation's ongoing quality & product development programs, design and specifications may change. Always consult factory to verify the information provided here.

### DIMENSIONAL DETAIL 'PWC'



### PWC- zer0zone Packaged Heat Pump Performance Ratings\*

Model No.	Cooling			Heating		HSPF	Comp. Type	REFRIG
	BTU/h	Sens BTU/h	EER	BTU/h	COP			
PWC-18	18,000	13,500	8.0	19,200	2.7	7.4	Recip.	410A
PWC-24	21,800	15,000	8.0	21,700	2.7	7.4	Recip.	410A

\*Rated in Accordance with ARI

### PWC- zer0zone Packaged Heat Pump Electrical Specifications

Model No.	Voltage* HZ/PH.	Comp. RLA	Comp. LRA	Evap Fan HP	Evap Fan AMPS	Total AMPS**	Min. CKT Ampacity**	Max. Fuse Size**	Min. Volts
18	208/230/60/1	7.4	43	1/3	2.2	9.6	11.5	15	197
24	208/230/60/1	9.4	54	1/3	2.2	11.6	14	20	197

\*265/277V. Available. Consult Factory

\*\* Does Not Include Cond. Motor or Heater Amps.

Model No.	Chassis Weight (lbs)
18	185
24	185

01-10