

**Vertical Stacked Water Source Heat Pump Chassis-
 Replaces Singer/ McQuay 'HCC' Series**

NOMINAL CAPACITY:

10,000, 12,000, 20,000,
 24,000 BTU/h

ColdPointCorp, Rome, New York 13440 • Phone (315)339-2331 • Fax (315)339-2358 • Web: www.adirondackaire.com



Description:

Adirondack-Aire 'HCC' series zer0zone chassis provides environment friendly, high efficiency cooling and heating where individual, quiet control of space is a priority. This application flexible unit is also a direct replacement for Singer/McQuay 'HCC' series vertical stacked water source heat pump chassis. The chassis is a part of a complete system, which consists of the chassis, blower section, power box, and furred-in room cabinet with risers. The chassis contains the compressor, air heat exchanger, water heat exchanger, 'Jones' plug, and control panel and safety components. The 'HCC' series has two chassis sizes, small (models 090 & 120), and large (models 180 & 240). Both chassis sizes are dimensionally identical to the original for a fast, easy, and trouble free installation. Quality components, careful design and testing and the latest in environment friendly technology assure EPA compliance, long life, user satisfaction, and lower energy cost! Consider the extensive list of standard features which includes: powder painted drain pan, refrigerant circuit access ports, air filter, pull handle, thermostatic expansion valve, evaporator freeze protection, water coil freezestat, high-pressure over protection, and lockout circuit..... and Adirondack-Aire is the replacement solution the competition can't match. Cold Point Corp. backs the 'HCC' with a customer friendly one-year parts and labor warranty and

five-year compressor warranty, (see Warranty document for details).

Application & Benefits:

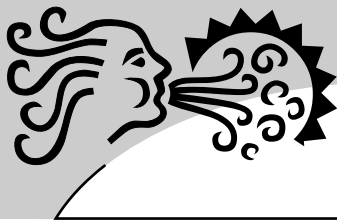
The *Adirondack-Aire 'HCC' series zer0zone replacement chassis fits the existing Singer/McQuay room cabinets* and works with the existing **blower section** and **control box** without modification. The chassis installs without the need for **water loop shut-down or draining**. Water, drain and electrical connections **line right up** to the original installation. The electrical connectors **plug directly** into the control box connectors. The standard high-pressure switch and evaporator coil freeze protection stops unit operation **before damage** occurs should airflow become reduced or obstructed due to dirty coils, obstructed airflow, or motor failures or lock-up. A freezestat protects the water coil from **freeze damage** due to water temperature or flow problems. The water coil is designed for low water-side pressure drop eliminating potential **pump sizing** and **water flow** problems. High efficiency compressors provide demonstrated **reliability** and **low sound** levels and cut **energy costs**...and because the chassis dimensions and construction details are like the original, replacement work is **fast and easy**. A chassis pull handle is provided to facilitate **easy removal** and **handling**. Using *Adirondack-Aire* replacements **eliminates** the need for **room renovation, redecorating, and piping changes** and is *the solution* that gets your property back in service quickly and at the **lowest total cost**. Choose the optional replacement blower section to **improve airflow** and replacement return air panel to give the unit a **new look** and improve **room aesthetics**.

Options/Accessories:

- Blower sections
- Return air panels
- Control options
- 115V, 265V/277V (availability varies by model sizes)
- Flow control valve
- Hose kits

Standard Features

- 1). Made in USA
- 2). Designed for easy installation & compatibility. Dimensionally identical to original *Singer/McQuay chassis*
- 3). UL recognized components and construction
- 4). Quiet, durable, and efficient compressor with built-in pressure & temperature protection
- 5). Heavy Gauge G90 galvanized steel construction
- 6). Powder painted drain pan
- 7). High efficiency copper tube-aluminum fin evaporator coil
- 8). High efficiency coaxial condenser coil with low water-side pressure drop
- 9). Lock-out circuit with reset at thermostat or circuit breaker
- 10). 'Jones' plug electrical connector
- 11). High Pressure switch
- 12). Frost free cooling
- 13). Water coil freeze protection
- 14). Refrigerant circuit access ports
- 15). Bi-flow thermostatic expansion valve
- 16). Positive shift reversing valve
- 17). Precision charged with zer0zone R-410A refrigerant
- 18). ½" FPT water connections
- 19). Chassis pull handle facilitates easy chassis removal & handling
- 20). 1" Fiberglass or natural fiber air filter



HCC Dimensions and Specifications

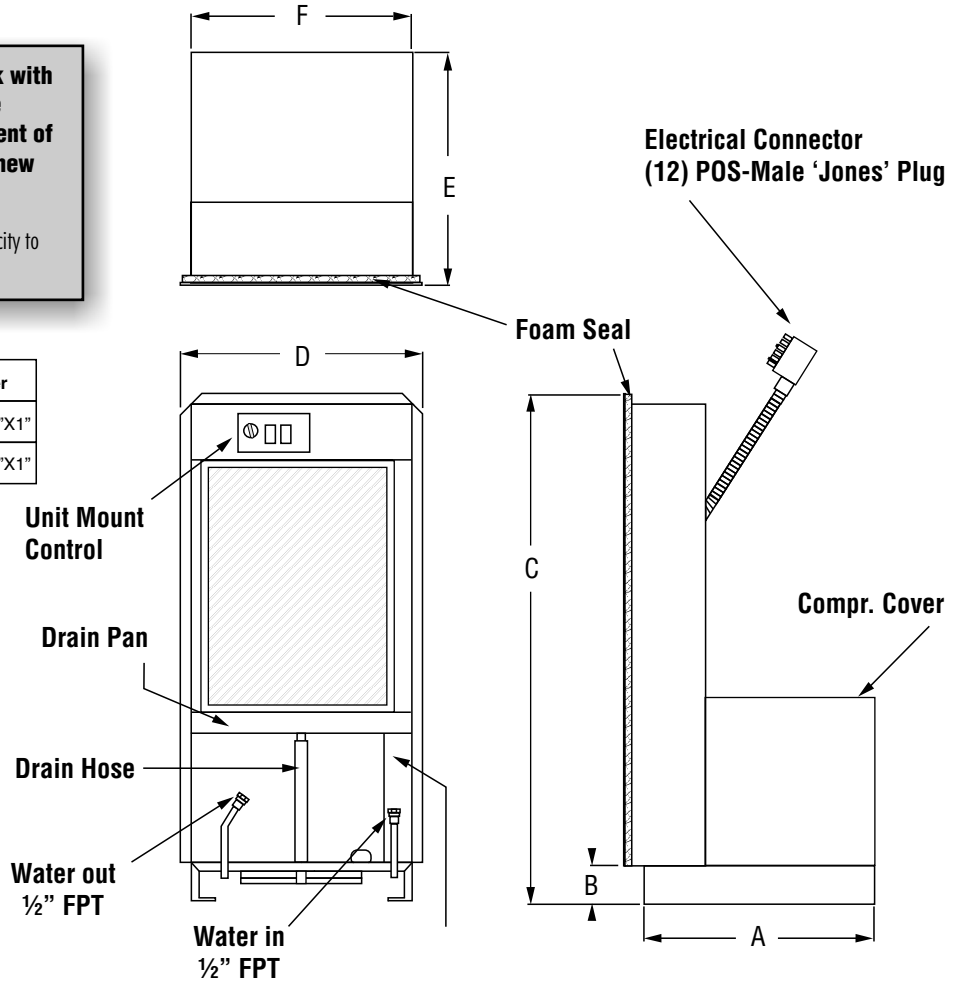
Note: Due to Cold Point Corporation's ongoing quality & product development programs, design and specifications may change. Always consult factory to verify the information provided here.

DIMENSIONAL DETAIL 'HCC'

***Note:** These chassis are designed to work with the existing blower. Blowers must produce rated airflow. Cleaning/ Repair/ Replacement of blowers is required prior to installation of new chassis.

IMPORTANT! Chassis must replace a unit of like capacity to assure proper **airflow** and **power supply**.

Model No.	A	B	C	D	E	F	Filter
10,12	13 ¾"	2 ¾"	39"	15 ¼"	14 ¾"	14 ¼"	14"X16"X1"
20,24	16 ½"	3"	39"	18 ¼"	17 5/8"	17 1/8"	17"X18"X1"



HCC ZEROZONE 410-A PERFORMANCE TABLE (PRELIMINARY)

Model	COOL BTUH	SENS BTUH	EER*	HEAT BTUH	COP*	CFM (design)	GPM	COIL PD	REFIG
HCC-10	9,900	7,600	13.3	11,700	4.37	300	2.5	1.8'	R410A
HCC-12	12,100	9,600	12.7	14,600	4.56	400	3.0	2.5'	R410A
HCC-20	19,300	15,500	13.6	23,700	4.83	600	5.0	4.0'	R410A
HCC-24	22,800	19,100	14.3	26,800	4.92	800	6.0	6.5	R410A

*Includes ARI Fan Power Allowance (.365W/CFM)

HCC ZEROZONE ELECTRICAL DATA

Model	COMP	Voltage/ HZ/Ph	Comp RLA	Comp LRA	Total Amps	Ckt Amps	Max Fuse	MIN. Volts
HCC-10	Rotary	208/230/60/1	3.7	22.0	3.7	4.6	15	197
HCC-10	Rotary	265/60/1	3.5	22.0	3.5	4.4	15	240
HCC-12	Rotary	208/230/60/1	4.7	25.0	4.7	5.9	15	197
HCC-12	Rotary	265/60/1	4.2	22.0	4.2	5.3	15	240
HCC-20	Rotary	208/230/60/1	7.4	33.0	7.4	9.3	15	197
HCC-20	Rotary	265/60/1	6.0	28.0	6.0	7.5	15	240
HCC-24	Recip.	208/230/60/1	6.5	43.0	6.5	8.1	15	197
HCC-24	Recip.	265/60/1	5.8	46.0	5.8	7.3	15	240

Model No.	Chassis Weight (lbs)
10	76
12	120
20	145
24	160

01-10